

NOTICE TO PERSONS RECEIVING THIS DOCUMENT: THIS DOCUMENT IS THE PROPERTY OF MICROWAVE INNOVATIONS, AND IS DELIVERED ON THE EXPRESS CONDITION THAT IT IS NOT TO BE DISCLOSED, REPRODUCED IN WHOLE OR IN PART OR USED FOR MANUFACTURE FOR ANYONE OTHER THAN MICROWAVE INNOVATIONS, WITHOUT ITS WRITTEN CONSENT; AND THAT NO RIGHT IS GRANTED TO DISCLOSE OR SO USE ANY INFORMATION CONTAINED IN SAID DOCUMENT. THIS RESTRICTION DOES NOT LIMIT INFORMATION OBTAINED FROM ANOTHER SOURCE.

REVISIONS				
ZONE	REV	DESCRIPTION	DATE	APPROVED
	1	TM KIT BROCHURE DETAIL DRAWING	11/03/06	RAS

TYPICAL TACTICAL TX/ENCODER SYSTEM SPECIFICATION (TELEMETRY)

RF OUTPUT

CARRIER FREQUENCY: 2200.5 to 2299.5 MHz (2267.5 MHz nominal)
 CARRIER STABILITY: Within ±0.002%
 OUTPUT POWER: 0.5 watt max., (other options exist)
 VSWR: 1.5:1 Maximum
 IMPEDANCE: 50 Ohms Nominal
 OPEN/SHORT PROTECTION: No Damage due to open or short of Infinite Duration
 HARMONIC & SPURIOUS LEVEL: In Accordance with IRIG 106-96

TM TRANSMITTER MODULATION CHARACTERISTICS

FREQUENCY RESPONSE: 1.0KHz to 6 MHz
 PEAK DEVIATION: ± 10 MHz Maximum, set for 1.4 x Br (Biphase)
 DEVIATION NON-LINEARITY: 1.0% Maximum BSL for ±4 MHz Deviation
 DEVIATION SENSITIVITY: set internally to yield 0.7 x Br peak deviation
 HARMONIC DISTORTION: 1.0% Maximum for ±4 MHz Deviation
 INCIDENTAL AM: 5% Maximum
 INCIDENTAL FM: 10 KHz Maximum
 INPUT IMPEDANCE: 10k ohm Nominal interface from encoder to tx

POWER REQUIREMENTS

INPUT VOLTAGE/ CURRENT: 7.2±1.2 VDC preferred @ .450 amps max. (linear regulator)
 (The available higher voltage implementation will tolerate 5.8 VDC to 12 VDC.)

ENVIRONMENTAL SPECIFICATION

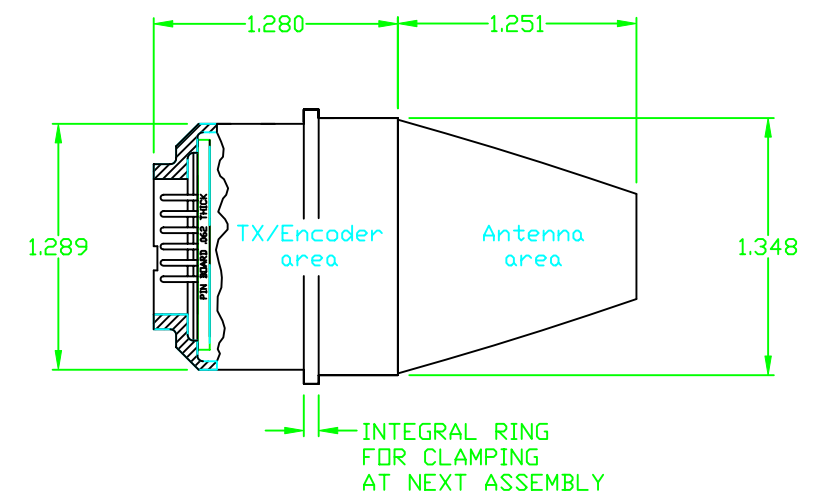
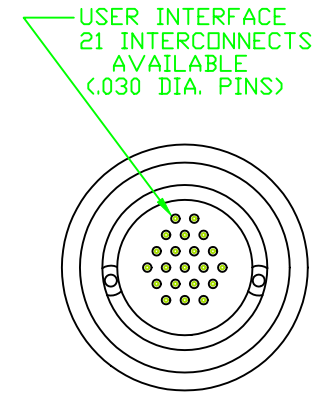
TEMPERATURE: Operating: 0°C to +85°C
 VIBRATION: 20 G's, Random, Standard, 20 HZ to 2 KHz, 3 Axes
 SHOCK WITHSTAND: 30,000g's typical
 ACCELERATION, CONSTANT: 30,000g's nom.
 ALTITUDE: Unlimited
 HUMIDITY: To 95%

PHYSICAL CHARACTERISTICS

DIMENSIONS: Per Outline Drawing
 WEIGHT: TBD

ENCODER SPECIFICATIONS

ANALOG CHANNELS (6 EACH) (up to 8 possible)
 SINGLE ENDED INPUTS
 5 KHz SAMPLE RATE
 SINGLE POLE R/C ANALOG FILTER
 DISCRETE CHANNELS (6 EACH) (up to 8 possible)
 5V CMOS LEVELS
 SERIAL DATA
 480 kBITS/S MAX.



ANTENNA SPECIFICATION
 OMNI-DIRECTIONAL "STUB"
 TEMPERATURE: UP TO 285°C ON RADOME
 RADIATION PATTERN: TBD
 RADOME MATERIAL: MACHINED LUVOCOM 1105/40 (PEEK)

COMPUTER GENERATED DRAWING, MANUAL REVISIONS NOT PERMISSIBLE.

SHEET	1	2	3	4	5	6	7	8	9	10	11	12	13	14	15	16	17	18	19	20	21	22	23	24	25	26	27	28
REVISION	1																											

UNLESS OTHERWISE SPECIFIED DIM. ARE IN INCHES-TOL ON: FRACTIONS: DECIMALS: ANGLES: + ~ .XX .01 ± 1/2' .XXX .005		DRAWN MIKE CASE DATE 05/02/06
MATERIAL: RADOME: LUVOCOM 1105/GF/40(PEEK) ALUM. 6061-T6 (BODY)		CHECK R. SIEGAL DATE 05/06/06
FINISH: NICKEL (BODY)		MECH ENG
DASH NO.		ELECT ENG R. PIERCE DATE
NEXT ASSY		QA-REL DATE
USED ON		PROJ ENG R. SIEGAL DATE
APPLICATION		PRCS ENG DATE
DO NOT SCALE DRAWING		MFG G. CARLETON DATE
		MATL CONT S. BROTEMARKLE DATE

MICROWAVE INNOVATIONS
 NEWTOWN PA, CAGE 1B1B1, 215-497-0607

TITLE: BROCHURE DETAIL DRAWING TACTICAL TRANSMITTER/ENCODER WITH INTEGRAL ANTENNA

SIZE: B CAGE: 1B1B1 DRAWING NO.: OD10460_BROCHURE REV: 1

SCALE: 1/1 SHEET 1 OF 1

CAUTION
 CONTAINS PARTS AND ASSEMBLIES SUSCEPTIBLE TO DAMAGE BY ELECTROSTATIC DISCHARGE (ESD). FOR HANDLING PROCEDURE REFER TO MIL-STD-1686

MIS CROSS REFERENCE NO:
 OD10460_BROCHURE_11_03_06